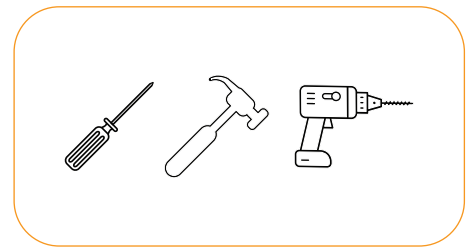
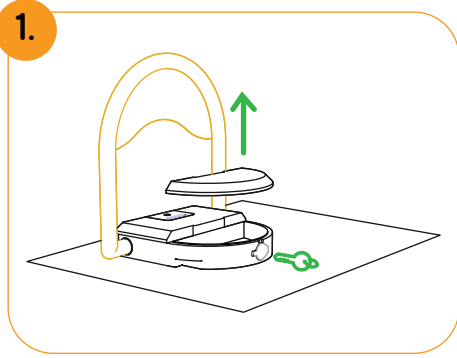


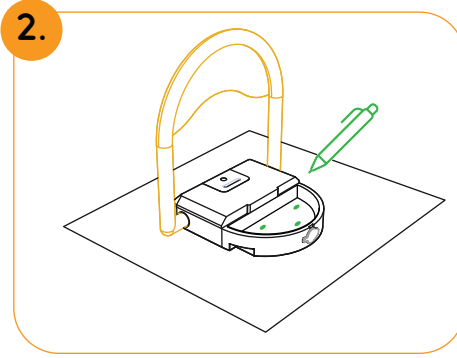
Bouncer Installation Guide



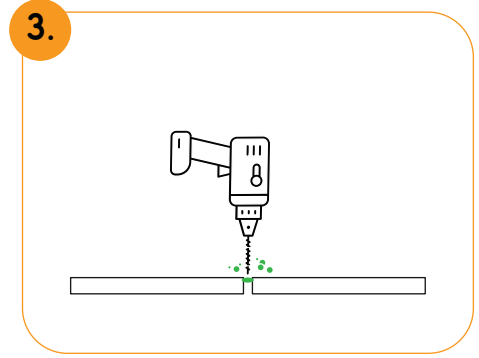
Tools that you will need other than the contents of the box.



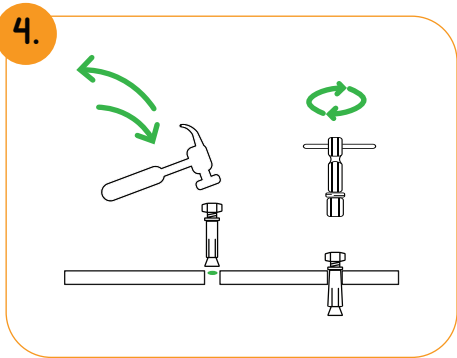
1. Use the key that comes with the box to open Bouncer's lid.



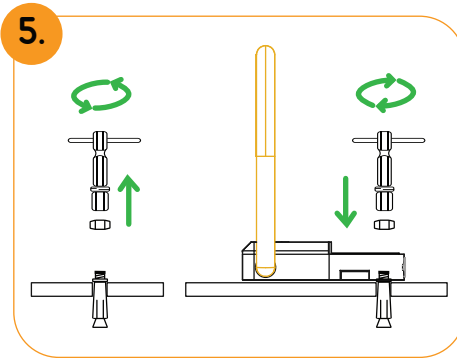
2. Place Bouncer on a flat surface and mark the holes.



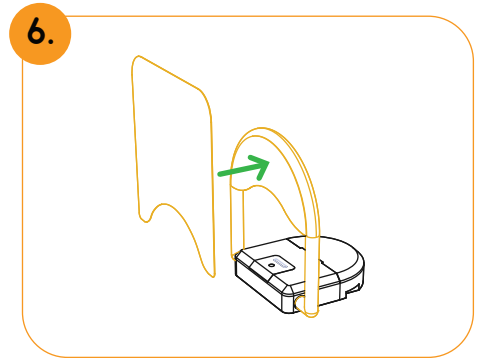
3. Drill the holes.



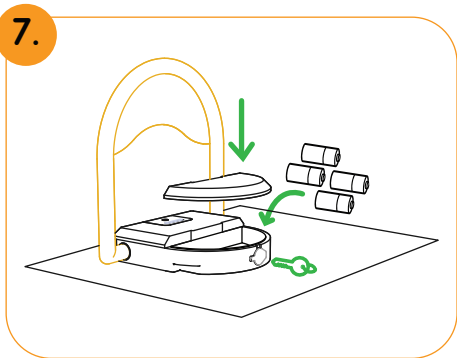
4. Hammer down the nails and screw it till it holds.



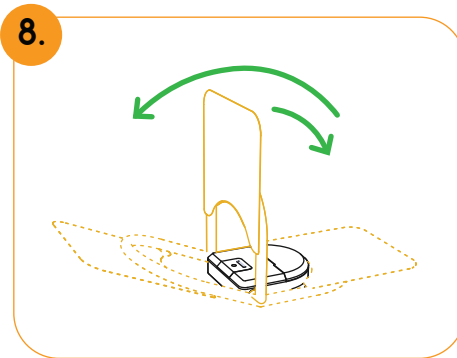
5. Unscrew the bolts and place the device then screw the bolts again.



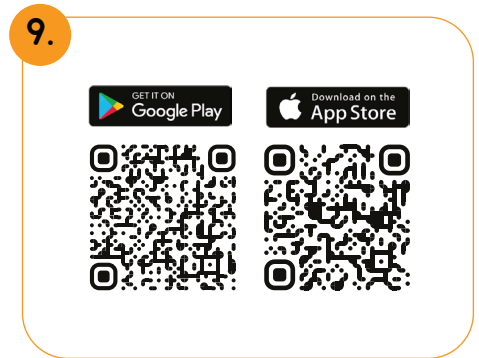
6. Fix the QR code plate to the Bouncer with double-sided tape or screws.



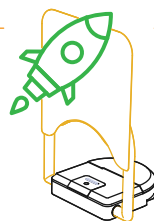
7. Plug the batteries. Close and lock the battery compartment and the device lid.



8. Make sure there are no problems by tilting Bouncer all the way back and forth.



9. Download the LetsParky app on your phone and follow the adding the new device instructions.



LetsParky Bouncer is ready to use!

For more information
letsparkey.com